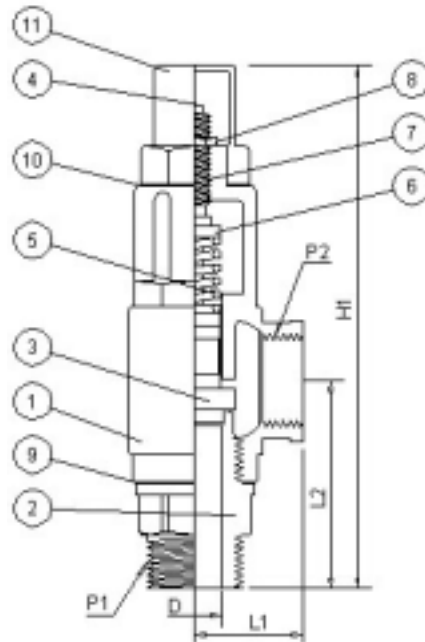


STAINLESS STEEL SAFETY RELIEF VALVE : Model FGX - SSS



General material

1	Valve Body	SS-316
2	Valve Seat	SS-316
3	Disc	SS-316
4	Stem	SS-304
5	Spring	SS-304
6	Spring Seat	SS-304
7	Thread Rod	SS-304
8	Adjust Nut	SS-304
9	Packing	PTFE
10	Packing	PTFE
11	Cap	SS-316

Working Pressure : 0.1 – 50 kg/cm²
Working Temp. : - 196°C – 350°C
Working Fluid : Non Corrosive Gas
 Corrosive Gas
 Super Steam
 Steam
 Hot Water
 Non Corrosive Liquid
 Corrosive Liquid

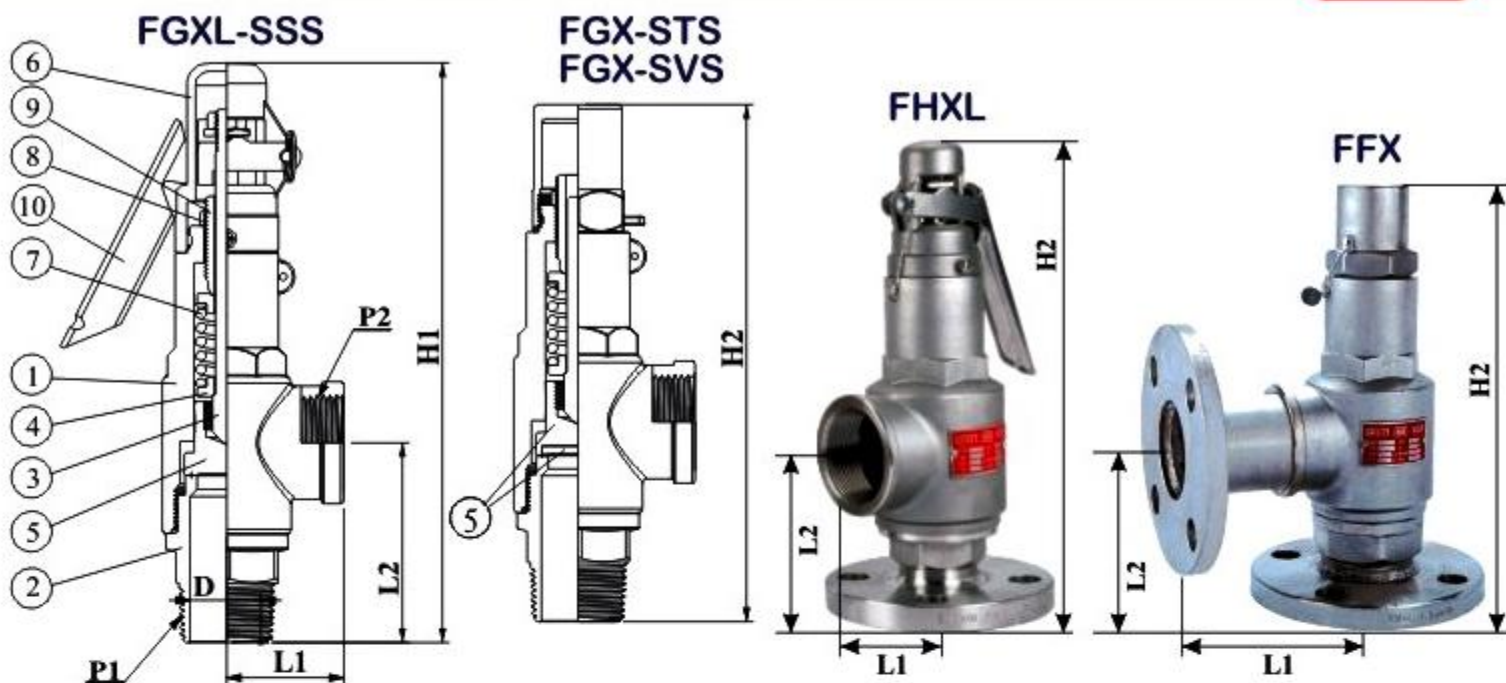
Dimension (mm)

Size	P1 (Inlet)	D (Seat dia)	P2 Outlet	Lift	L1	L2	H1	Weight (kg)
1/2"	RC(1/2)	14.5	1"	2.5	40	66	180	1.1
3/4"	RC(3/4)	21	1"	3.2	40	66	180	1.1
1"	RC(1)	25	1"	4.8	40	66	180	1.2
1-1/4"	RC(1-1/4)	32	2"	6.5	66	102	264	4.9
1-1/2"	RC(1-1/2)	38	2"	7.3	66	102	264	5.0
2"	RC(2)	50	2"	8.5	66	105	267	5.1

Distributed by: EPMC Co., Ltd.

Boonyium & Associates Bldg., 1314-1322 Srinakarin Rd. Suanluang, Bangkok 10250.
 Tel. 322-1678 – 87, 322-4330 – 3 Fax. 720-5155, 322-4328 - 9

STAINLESS STEEL SAFETY VALVE



General material

NO	TYPE NAME	FGXL-SSS	FGX-SSS	FGXL-SVS	FGX-SVS	FGXL-ST	FGX-ST	FHXL	FHX	FFXL	FFX
		Safety Valve with Lever metal to metal	Safety Valve with Lever metal to metal	Safety Valve with Lever Disc insert Viton	Safety Valve with Lever Disc insert Viton	Safety Valve with Lever Disc insert PTFE	Safety Valve with Lever Disc insert PTFE	Inlet: Flange Outlet: Thread	Inlet: Flange Outlet: Thread	Inlet: Flange Outlet: Flange	Inlet: Flange Outlet: Flange
1	VALVE BODY	SS304/316	SS304/316	SS304/316	SS304/316	SS304/316	SS304/316	SS304/316	SS304/316	SS304/316	SS304/316
2	VALVE SEAT	SS316	SS316	SS316	SS316	SS316	SS316	SS304/316	SS304/316	SS304/316	SS304/316
3	SPINDLE	SS304	SS304	SS304	SS304	SS304	SS304	SS304	SS304	SS304	SS304
4	SPRING SEAT	SS304	SS304	SS304	SS304	SS304	SS304	SS304	SS304	SS304	SS304
5	DISC	SS316	SS316	SS316+VITON	SS316+VITON	SS316+PTFE	SS316+PTFE	SS316	SS316	SS316	SS316
6	CAP	SS304	SS304	SS304	SS304	SS304	SS304	SS304	SS304	SS304	SS304
7	SPRING	SS304	SS304	SS304	SS304	SS304	SS304	SS304	SS304	SS304	SS304
8	NUT	SS304	SS304	SS304	SS304	SS304	SS304	SS304	SS304	SS304	SS304
9	ADJUST SCREW	SS304	SS304	SS304	SS304	SS304	SS304	SS304	SS304	SS304	SS304
10	HANDLE	SS304	-	SS304	-	SS304	-	SS304	-	SS304	-
WORKING PRESSURE (Kg/cm ²)		0.1~110		0.1~50		0.1~50		0.1~110		0.1~110	
WORKING TEMP.(°C)		-196°C~350°C		-40°C~200°C		-40°C~200°C		-196°C~350°C		-196°C~300°C	

Dimension (FGXL-SSS~FGX-ST)

NOMINAL		Kg									
P1	* D *	P2	LIFT	L1	L2	H1	H2	FGXL-SSS		FGX-SSS	
								FGXL-SVS	FGX-SVS	FGXL-ST	FGX-ST
1/2	* 15 *	1	1.04	41	66	200	179	1.376	1.266		
3/4	* 20 *	1	1.52	41	65	199	177	1.354	1.244		
1	* 21 *	1	2	41	71	205	183	1.348	1.238		
1 1/4	* 33 *	2	2.56	65	101	285	261	5.384	5.212		
1 1/2	* 39 *	2	3.04	65	101	285	261	5.23	5.058		
2	* 39 *	2	4	65	104	288	265	5.398	5.226		

Dimension (FHXL~FFX) + Flanged ends

NOMINAL		LIFT	FHXL~FHX				Kg		FFXL~FFX				Kg		
P1	* D *		P2	L1	L2	H1	H2	FHXL	FFX	L1	L2	H1	H2	FFXL	FFX
1/2	* 15 *	1/2	1.04	41	66	200	179	2.5	2.3	84.5	72	203	182	3.4	3.3
3/4	* 20 *	3/4	1.52	41	72	-	183	-	2.5	-	72	203	-	3.6	-
3/4	* 20 *	1	1.52	41	72	199	-	2.6	-	84.5	-	-	182	-	3.5
1	* 21 *	1	2	41	77	205	183	2.7	2.7	99	77	210	187	3.7	3.6
1 1/4	* 33 *	1 1/4	2.56	65	101	285	261	7.5	6.9	128	106	289	265	8.6	8
1 1/2	* 39 *	1 1/2	3.04	65	101	285	261	7.7	7	135	107	290	266	8.9	8.2
2	* 39 *	2	4	65	104	288	265	8	7.2	129	293	293	268	9.1	8.3